

Juniper Compatible SRX-QSFP-40G-LR4 Quick Spec:

| | |
|-----------------------|--|
| Part Number: | SRX-QSFP-40G-LR4 SRX-QSFP-40G-LR4-EXT SRX-QSFP-40G-LR4-IND |
| Form Factor: | QSFP |
| TX Wavelength: | 1270nm-1330nm |
| Reach: | 10km |
| Cable Type: | SMF |
| Rate Category: | 40GBase |
| Interface Type: | CWDM-LR4 |
| DDM: | Yes |
| Connector Type: | Dual-LC |
| Optical Power Budget: | 6.7 dB |
| TX Power Min/Max: | -7 to +2.30 dBm |
| RX Power Min/Max: | -13.70 to +2.30 dBm |



Juniper Compatible SRX-QSFP-40G-LR4 Product Features

- Compliant with 40G Ethernet IEEE802.3ba and 40GBASE-LR4 Standard
- QSFP+ MSA compliant
- Compliant with QDR/DDR Infiniband data rates
- Up to 11.2Gbps data rate per wavelength
- 4 CWDM lanes MUX/DEMUX design
- Up to 10km transmission
- Operating case temperature:
 - Standard 0 to 70 °C
 - Extended -5 to +85 °C
 - Industrial -40 to +85 °C
- Maximum 3.5W operation power
- RoHS compliant

Juniper Compatible SRX-QSFP-40G-LR4 Applications

- 40G BASE-LR4 Ethernet Links
- Infiniband QDR and DDR interconnects
- Client-side 40G Telecom connections
- 40Gb

Juniper Compatible SRX-QSFP-40G-LR4 Overview

The **SRX-QSFP-40G-LR4** is a transceiver module designed for optical communication applications up to 10km. The design is compliant to 40GBASE-LR4 of the IEEE P802.3ba standard. The module converts 4 inputs channels of 10 Gbps electrical data to 4 CWDM optical signals, and multiplexes them into a single channel for 40Gbps optical transmission. Reversely, on the receiver side, the module optically de-multiplexes a 40 Gbps input into 4 CWDM channels signals, and converts them to 4 channel output electrical data. The central wavelengths of the 4 CWDM channels are 1271, 1291, 1311 and 1331 nm as members of the CWDM wavelength grid defined in ITU-T G694.2. It contains a duplex LC connector for the optical interface and a 148-pin connector for the electrical interface. To minimize the optical dispersion in the long-haul system, singlemode fiber (SMF) has to be used. The product is designed with form factor, optical/electrical connection and digital diagnostic interface according to the QSFP Multi-Source Agreement (MSA). It has been designed to meet the harshest external operating conditions including temperature, humidity and EMI interference.

Juniper Compatible SRX-QSFP-40G-LR4 Functional Diagram

This product converts the 4-channel 10 Gbps electrical input data into CWDM optical signals (light), by a driven 4-wavelength Distributed Feedback Laser (DFB) array. The light is combined by the MUX parts as a 40 Gbps data, propagating out of the transmitter module from the SMF. The receiver module accepts the 40 Gbps CWDM optical signals input, and de-multiplexes it into 4 individual 10Gbps channels with different wavelengths. Each wavelength is collected by a discrete avalanche photodiode (APD), and then outputted as electric data after amplified first by a TIA and then by a post amplifier. Figure 1 shows the functional block diagram of this product.

A single +3.3V power supply is required to power up this product. Both power supply pins VccTx and VccRx are internally connected and should be applied concurrently. As per MSA specifications the module offers 7 low speed hardware control pins (including the 2-wire serial interface): ModSelL, SCL, SDA, ResetL, LPMODE, ModPrsL and IntL.

Module Select (ModSelL) is an input pin. When held low by the host, this product responds to 2-wire serial communication commands. The ModSelL allows the use of this product on a single 2-wire interface bus – individual ModSelL lines must be used.

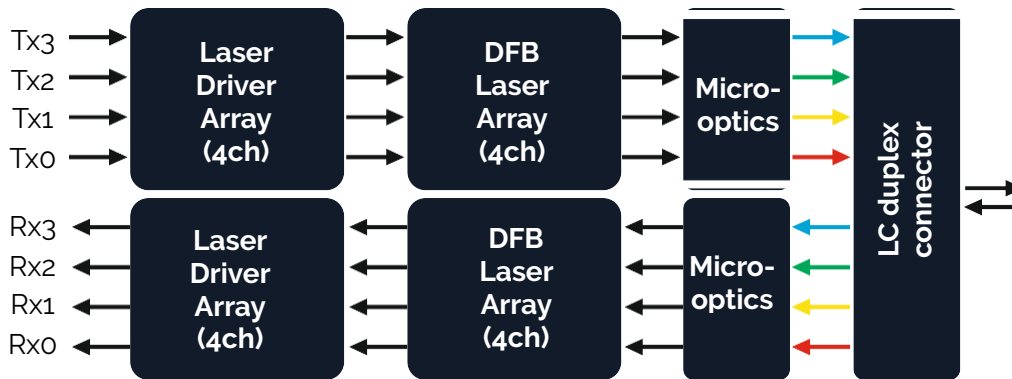


Figure 1. Functional diagram

Serial Clock (SCL) and Serial Data (SDA) are required for the 2-wire serial bus communication interface and enable the host to access the QSFP+ memory map.

The ResetL pin enables a complete reset, returning the settings to their default state, when a low level on the ResetL pin is held for longer than the minimum pulse length. During the execution of a reset the host shall disregard all status bits until it indicates a completion of the reset interrupt. The product indicates this by posting an IntL (Interrupt) signal with the Data_Not_Ready bit negated in the memory map. Note that on power up (including hot insertion) the module should post this completion of reset interrupt without requiring a reset.

Low Power Mode (LPMODE) pin is used to set the maximum power consumption for the product in order to protect hosts that are not capable of cooling higher power modules, should such modules be accidentally inserted.

Module Present (ModPrsL) is a signal local to the host board which, in the absence of a product, is normally pulled up to the host Vcc. When the product is inserted into the connector, it completes the path to ground through a resistor on the host board and asserts the signal. ModPrsL then indicates its present by setting ModPrsL to a “Low” state.

Interrupt (IntL) is an output pin. “Low” indicates a possible operational fault or a status critical to the host system. The host identifies the source of the interrupt using the 2-wire serial interface. The IntL pin is an open collector output and must be pulled to the Host Vcc voltage on the Host board.

Absolute Maximum Ratings

| Parameter | Symbol | Min | Max | Unit |
|--------------------------------------|-------------|-------|-----|------|
| Storage Temperature | <i>Tst</i> | -20 | +85 | °C |
| Relative Humidity (non-condensation) | RH | | 85 | % |
| Operating Case Temp (Standard) | <i>Topc</i> | 0 | 70 | °C |
| Operating Case Temp (Industrial) | <i>Topc</i> | -40 | 85 | °C |
| Operating Range | | 0.002 | 10 | km |

Electrical Characteristics

| Parameter | Symbol | Min | Typ | Max | Unit |
|----------------------|---------------------------|------|---------|------|------|
| Supply Voltage | <i>VccI, VccTx, VccRx</i> | -0.5 | | 3.6 | V |
| Data Rate, each Lane | | | 10.3125 | 11.2 | Gbps |

Electrical Characteristics - Transmitter

| Parameter | Symbol | Min | Typ | Max | Unit |
|------------------------------|--------|---------------------------|-----|------|------|
| Differential Input Impedance | | 85 | 100 | 115 | Ohm |
| Differential Input Swing | | 150 | | 1200 | mV |
| TP1/TP1a Interface | | Compliant to IEEE 802.3ba | | | |

Electrical Characteristics - Receiver

| Parameter | Symbol | Min | Typ | Max | Unit |
|---------------------------------|--------|---------------------------|-----|-----|------|
| Differential Output Impedance | | 90 | 100 | 110 | Ohm |
| Differential Output Swing | | 370 | | 950 | mV |
| Receiver Electrical Mask | | Compliant to IEEE 802.3ba | | | |
| Output Differential Return Loss | | Compliant to IEEE 802.3ba | | | dB |

Electrical Characteristics - Receiver

| Parameter | Symbol | Min | Typ | Max | Unit |
|-----------------------|-------------|--------|------|--------|------|
| Wavelength Assignment | λ_0 | 1264.5 | 1271 | 1277.5 | nm |
| | λ_1 | 1284.5 | 1291 | 1297.5 | nm |
| | λ_2 | 1304.5 | 1311 | 1317.5 | nm |
| | λ_3 | 1324.5 | 1331 | 1337.5 | nm |

Optical Characteristics - Transmitter

| Parameter | Symbol | Min | Typ | Max | Unit | Notes |
|--|------------------------|------------------------------------|-----|------|-------|-----------------|
| Side-mode Suppression Ratio | <i>SMSR</i> | 30 | | | dB | |
| Total Average Launch Power | <i>PT</i> | | | 8.3 | dBm | |
| Average Launch Power (each Lane) | | -7.0 | | 2.3 | dBm | |
| Optical Modulation Amplitude (each Lane) | <i>OMA</i> | -4 | | +3.5 | dBm | |
| Difference in Launch Power between any two Lanes (OMA) | | | | 6.5 | dB | |
| Launch Power in OMA minus Transmitter and | | 4.8 | | | dBm | |
| Dispersion Penalty (TDP), each Lane | | | | | | |
| TDP, each Lane | <i>TDP</i> | | | 2.3 | dB | |
| Extinction Ratio | <i>ER</i> | 3.5 | | | dB | |
| Relative Intensity Noise | <i>RIN</i> | | | -128 | dB/Hz | 12dB reflection |
| Transmitter Reflectance | <i>RT</i> | | | -12 | dB | |
| Transmitter Eye Mask Definition {X1, X2, X3, Y1, Y2, Y3} | | {0.25, 0.4, 0.45, 0.25, 0.28, 0.4} | | | | |
| Average Launch Power OF (each lane) | <i>P_{off}</i> | | | -30 | dBm | |

Note: Transmitter optical characteristics are measured with a single mode fiber.

Optical Characteristics - Receiver

| Parameter | Symbol | Min | Typ | Max | Unit | Notes |
|---|------------|-------|-----|-------|------|-------|
| Damage Threshold | <i>THd</i> | 3.3 | | | dBm | 1 |
| Average Power at Receiver Input, each Lane | | -13.7 | | 2.3 | dBm | |
| Receiver Reflectance | <i>RR</i> | | | -26 | dB | |
| Receive Power (OMA) (each Lane) | | | | 3.5 | dBm | |
| Receiver Power (OMA), each Lane | | | | -9.9 | dBm | |
| Receiver Power (OMA), each Lane | <i>Sr</i> | | | -11.5 | dBm | |
| Difference in Receive Power between any two Lanes (OMA) | | | | 7.5 | dB | |
| Receive Electrical 3 dB upper Cutoff Frequency, each Lane | | | | 12.3 | GHz | |
| Vertical Eye Closure Penalty, each Lane | | | 1.6 | | dB | |
| Stressed Eye Jitter, each Lane | | | 0.3 | | UI | |

Notes:

- The receiver shall be able to tolerate, without damage, continuous exposure to a modulated optical input signal having this power level on one lane. The receiver does not have to operate correctly at this input power.

Digital Diagnostics Function

The following digital diagnostic characteristics are defined over the normal operating conditions unless otherwise specified.

| Parameter | Symbol | Min | Typ | Max | Unit | Notes |
|---|--------------------|------|-----|-----|--------|----------------------------------|
| Temperature monitor absolute error | <i>DMITEMP</i> | -3 | | 3 | deg. C | Over operating temperature range |
| Supply voltage monitor absolute error | <i>DMIVCC</i> | -0.1 | | 0.1 | V | Over Full operating range |
| Channel RX power monitor absolute error | <i>DMIRX_CH</i> | -2 | | 2 | dB | 1 |
| Channel Bias current monitor | <i>DMIibias_CH</i> | -10% | | 10% | mA | |
| Channel TX power monitor absolute error | <i>DMITX_CH</i> | -2 | | 2 | dB | 1 |

Note 1: Due to measurement accuracy of different multi-mode fibers, there could be an additional ± 1 dB fluctuation, or ± 3 dB total accuracy.

PIN Assignment and Function Definitions

PIN Assignment



PIN Definition

| PIN | Signal Name | Description |
|-----|-------------|---|
| 1 | GND | Ground (1) |
| 2 | Tx2n | CML-I Transmitter 2 Inverted Data Input |
| 3 | Tx2p | CML-I Transmitter 2 Non-Inverted Data Input |
| 4 | GND | Ground (1) |
| 5 | Tx4n | CML-I Transmitter 4 Inverted Data Input |
| 6 | Tx4p | CML-I Transmitter 4 Non-Inverted Data Input |
| 7 | GND | Ground (1) |
| 8 | ModSelL | LVTTLL-I Module Select |
| 9 | ResetL | LVTTLL-I Module Reset |
| 10 | VCCRx | +3.3V Power Supply Receiver (2) |
| 11 | SCL | LVC MOS-I/O 2-Wire Serial Interface Clock |
| 12 | SDA | LVC MOS-I/O 2-Wire Serial Interface Data |
| 13 | GND | Ground (1) |
| 14 | Rx3p | CML-O Receiver 3 Non-Inverted Data Output |
| 15 | Rx3n | CML-O Receiver 3 Inverted Data Output |
| 16 | GND | Ground (1) |
| 17 | Rx1p | CML-O Receiver 1 Non-Inverted Data Output |
| 18 | Rx1n | CML-O Receiver 1 Inverted Data Output |
| 19 | GND | Ground (1) |
| 20 | GND | Ground (1) |
| 21 | Rx2n | CML-O Receiver 2 Inverted Data Output |
| 22 | Rx2p | CML-O Receiver 2 Non-Inverted Data Output |
| 23 | GND | Ground (1) |
| 24 | Rx4n | CML-O Receiver 4 Inverted Data Output |
| 25 | Rx4p | CML-O Receiver 4 Non-Inverted Data Output |
| 26 | GND | Ground (1) |
| 27 | ModPrsL | Module Present |
| 28 | IntL | Interrupt |
| 29 | VCCTx | +3.3V Power Supply Transmitter (2) |
| 30 | VCC1 | +3.3V Power Supply |
| 31 | LPMODE | LVTTLL-I Low Power Mode |
| 32 | GND | Ground (1) |
| 33 | Tx3p | CML-I Transmitter 3 Non-Inverted Data Input |
| 34 | Tx3n | CML-I Transmitter 3 Inverted Data Input |
| 35 | GND | Ground (1) |
| 36 | Tx1p | CML-I Transmitter 1 Non-Inverted Data Input |
| 37 | Tx1n | CML-I Transmitter 1 Inverted Data Input |
| 38 | GND | Ground (1) |

Notes:

1. All Ground (GND) are common within the QSFP+ module and all module voltages are referenced to this potential unless noted otherwise. Connect these directly to the host board signal common ground plane.
2. VccRx, Vcc1 and VccTx are the receiving and transmission power suppliers and shall be applied concurrently. The connector pins are each rated for a maximum current of 500mA.

Licensing

The following U.S. patents are licensed by Finisar to FluxLight, Inc.:

U.S. Patent Nos: 7,184,668, 7,079,775, 6,957,021, 7,058,310, 6,952,531, 7,162,160, 7,050,720